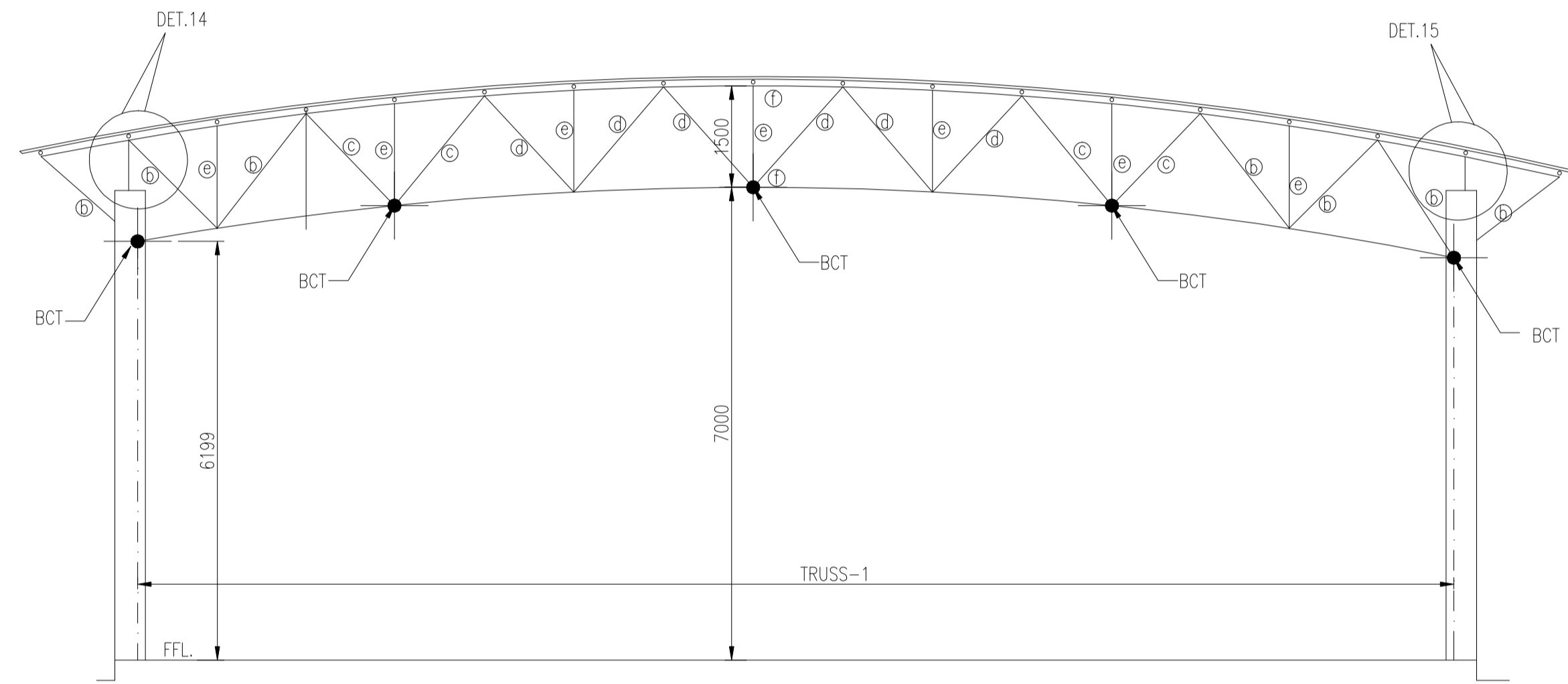
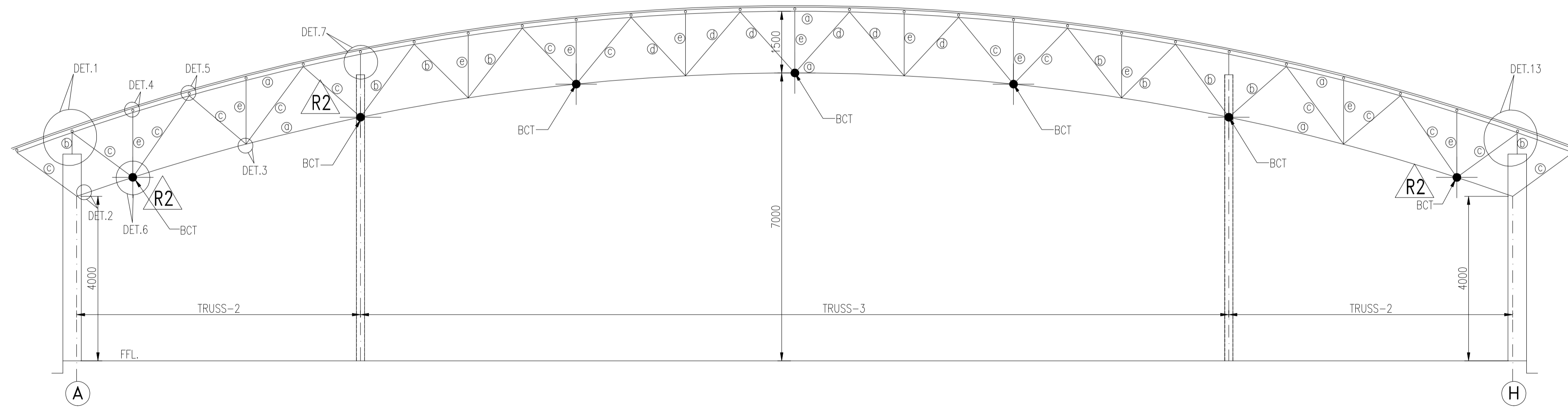


C SECTION
TRUSS - 4



A SECTION
TRUSS - 1



B SECTION
TRUSS - 2 AND 3

MEMBER INDEX			REMARK. STITCH PLATE SPACING
a	TUBE	NB XXX	R1
b	TUBE	NB XXX	
c	TUBE	NB XXX	
d	TUBE	NB XXX	
e	TUBE	NB XXX	
f	TUBE	NB XXX	
P1	PURLIN	NB XXX	R1
P2	PURLIN	NB XXX	
BCB	BOTTOM CHORD BRACING	┌ ISA XXX	150x80x8THK PALTE AT 500 C/C.
BCB1	BOTTOM CHORD BRACING	┌ ISA XXX	170x80x8THK PALTE AT 500 C/C.
BCT	BOTTOM CHORD TIE	ISA XXX	
TCB	TOP CHORD BRACING	┌ ISA XXX	STITCH TO PURLIN AT ALL POINTS
SR	SAG ROD	XX DIA	
ASR	ANTI SAG ROD	XX DIA	
SAS	SAG ANGLE STRUT	┌ ISA XXX	

NOTE

01. ALL DIMENSIONS ARE IN MILLIMETRE
02. DO NOT SCALE THE DRG. FOLLOW FIGURED DIMENSIONS.
03. READ THIS DRG ALONGWITH RELEVANT ARCHI. DRG. DISCREPANCY IF ANY SHOULD BE BROUGHT TO THE NOTICE OF ENGINEER.
04. MINIMUM WELD THICKNESS SHOULD BE 6mm. OR TO THE THICKNESS OF TUBE WHICHEVER IS LESS
05. SUITABLE ALLOWANCES TO BE TAKEN INTO ACCOUNT FOR FLOOR FINISH.
06. ALL HOLES TO BE DRILLED AND NOT TO BE GAS CUT.
07. FULL SCALE LAYOUT TO BE MADE AND APPROVAL OBTAINED FROM ENGINEER BEFORE COMMENCEMENT OF FABRICATION.
08. REQUIREMENT OF ADDITIONAL SAG RODS, IF ANY TO BE CONFIRMED WITH PURLIN SUPPLIERS.
09. SHOP DRGS. TO BE PREPARED FOR SHEETING AND APPROVAL OBTAINED FROM ENGINEER FOR LOCATION OF SUPPORTS.
10. REQUIREMENT OF ADDITIONAL SUPPORTS FOR SHEETING IF ANY SHALL BE TAKEN CARE OF BY THE CONTRACTOR.
11. FOR TOP CHORD PLAN, SECTIONS & JOINT DETAIL REFER DRG. NO. **RSB-ST-02, ST-03 & ST-04.**

FOR OTHER NOTES SEE DRG.NO. STD-ST-01.

NOS.	DATE	ISSUED TO	BY
REV.NO.	DATE	DESCRIPTION	APPD

BASE
BUILDING & STRUCTURAL ENGG
CONSULTANTS

#508, 9th CROSS, SADASHIVANAGAR,
BANGALORE - 560 080.
Ph:+9180 2361 4376
e-mail: conctact.base@gmail.com

TITLE.	SECTIONS			SHEET NO 3 OF 4		
DRAWN.	ROHIT	JOB.NO		D R G N O .		
DESIGNED		SCALE	1:100, 10	RSB	ST-01	REV.
APPROVED		DATE	AUG.08/04			RO