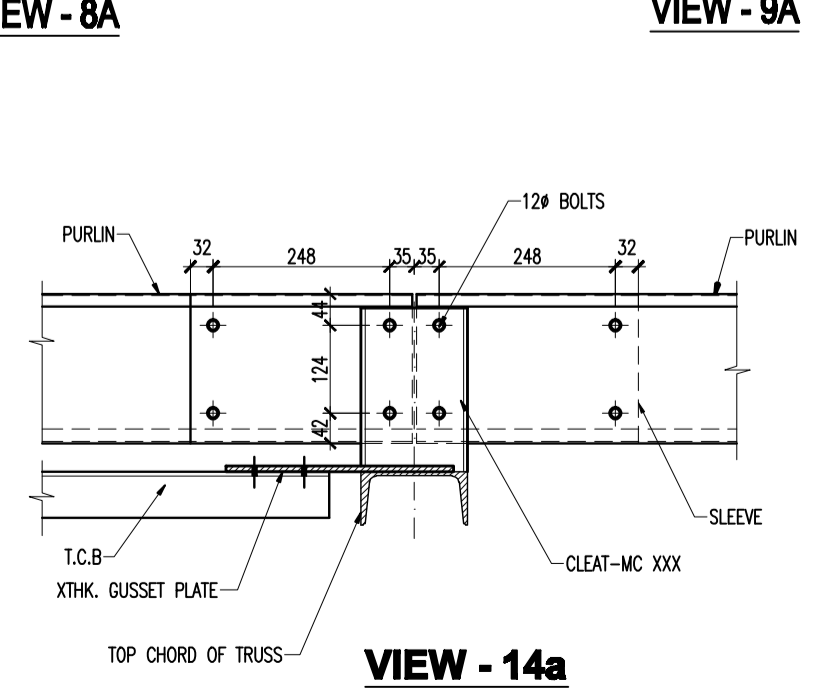
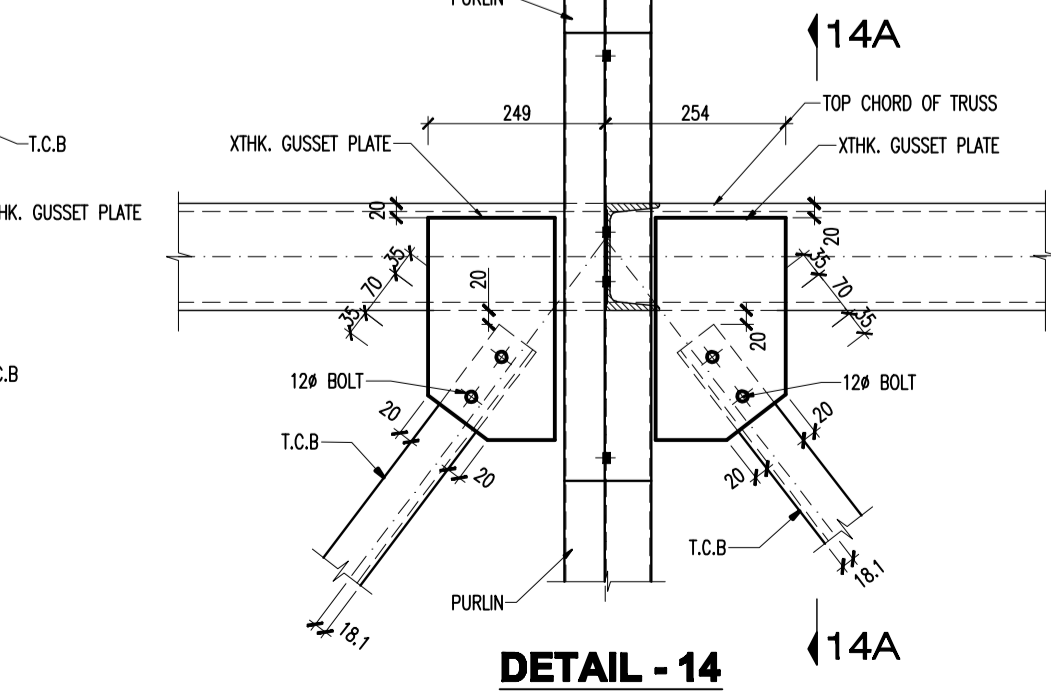
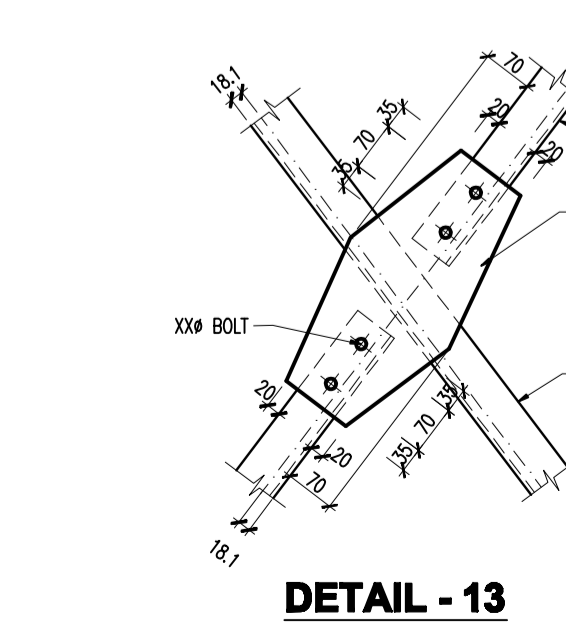
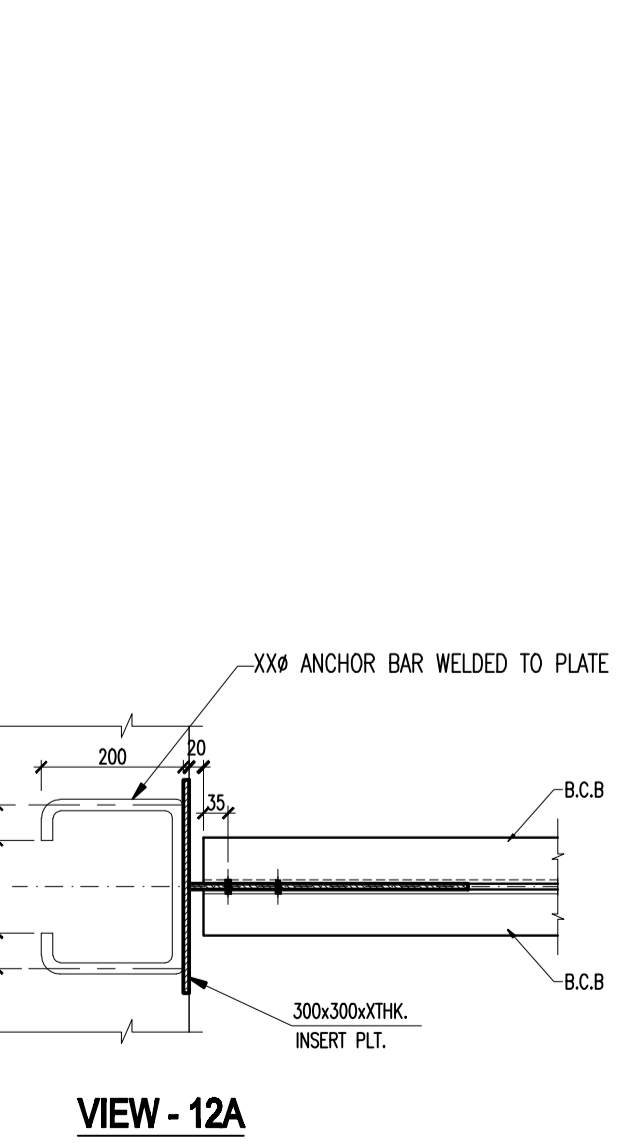
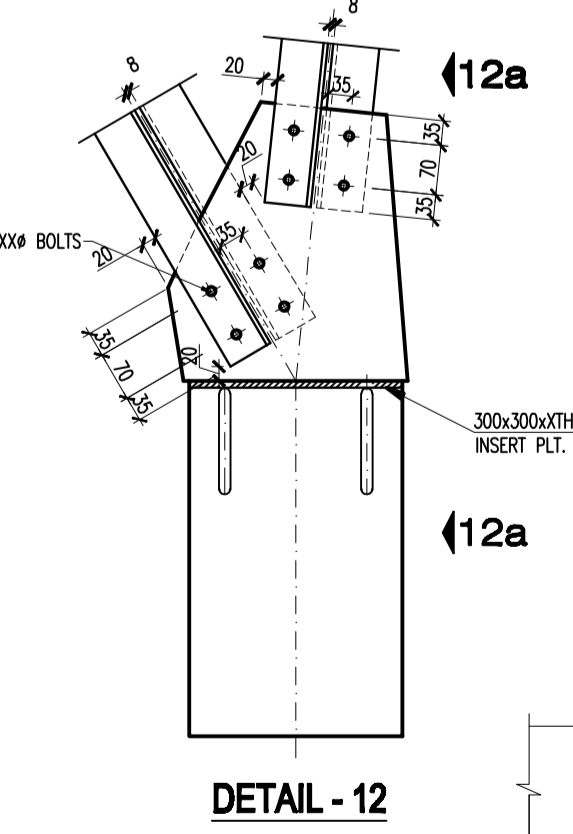
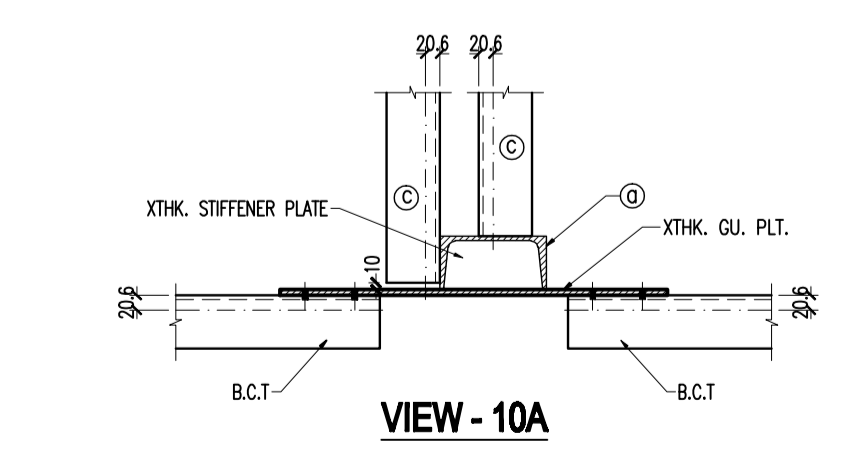
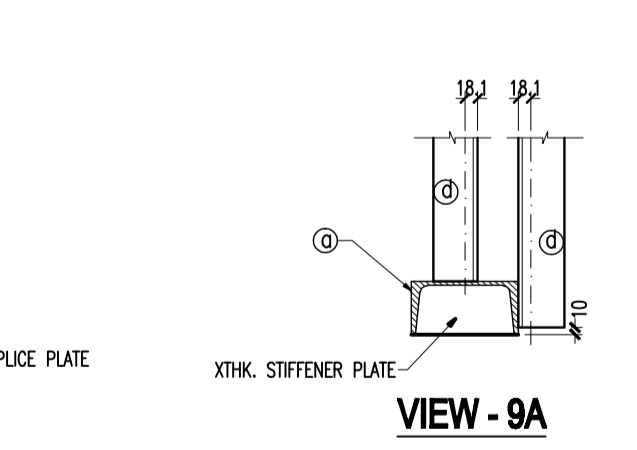
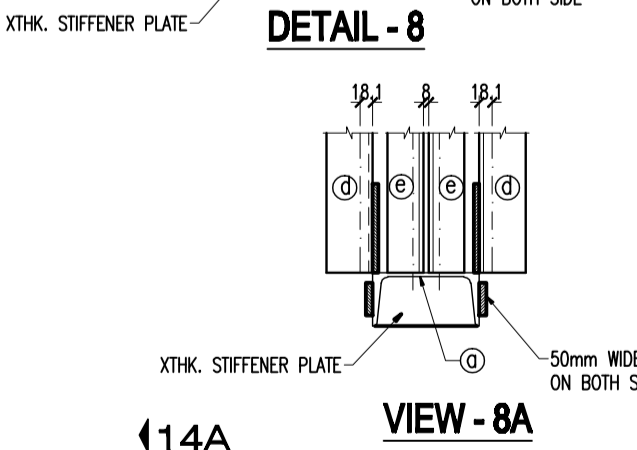
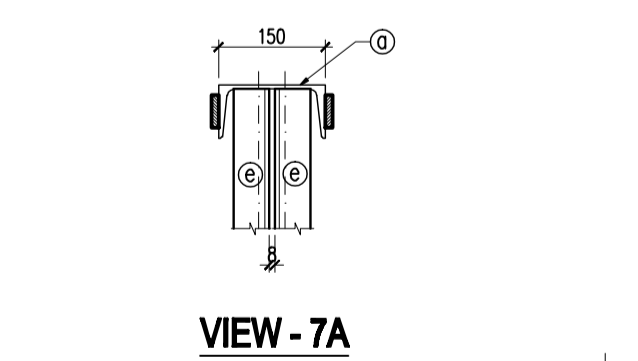
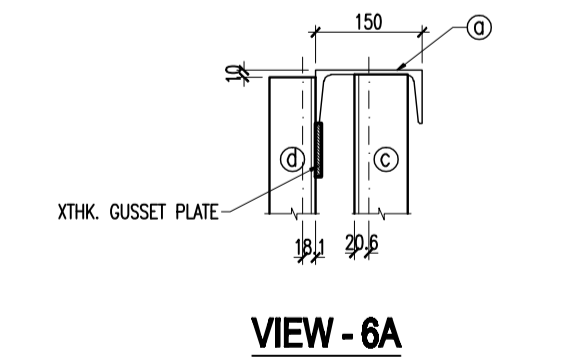
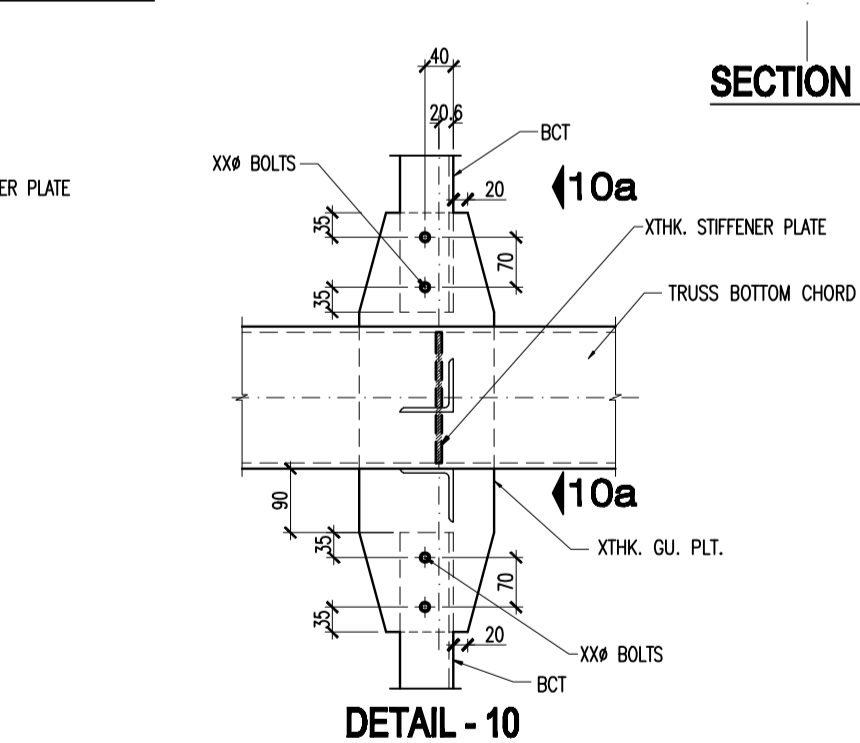
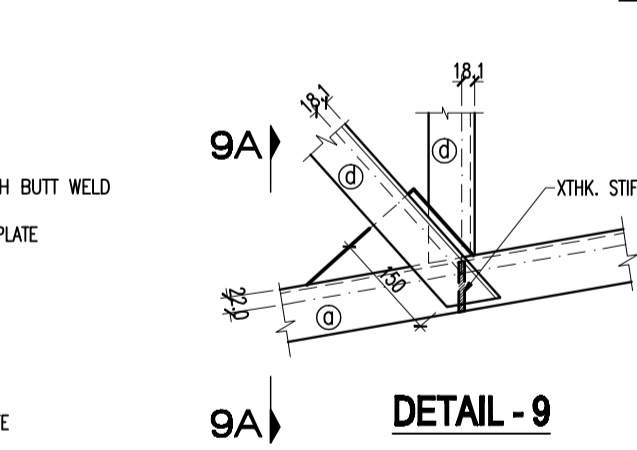
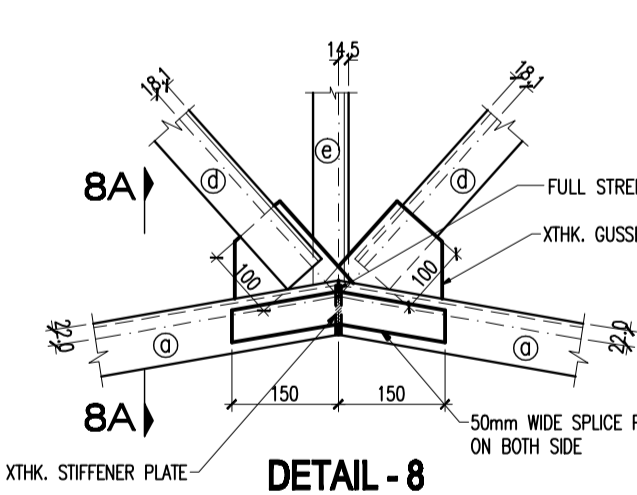
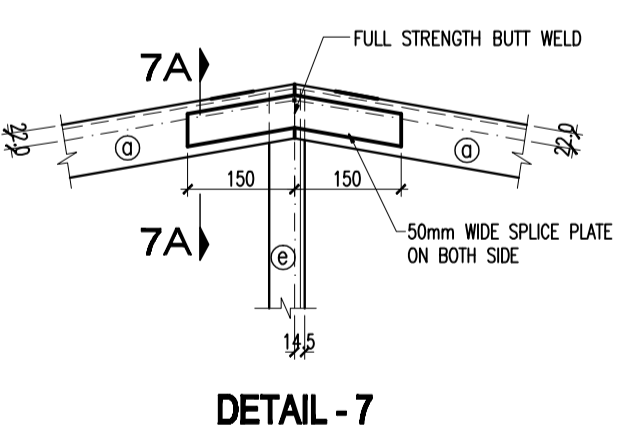
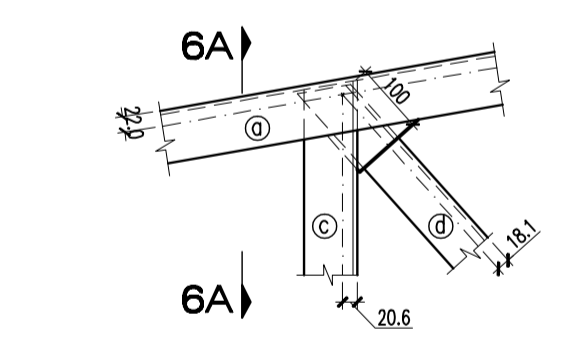


ALL THE ENDS SHOULD BE MILLED TO GET SMOOTH SURFACE.



FOR OTHER NOTES SEE DRG. NO. STD-01.

No.	DATE	ISSUED TO	BY

**BASE BUILDING & STRUCTURAL ENGG CONSULTANTS**  
#508, 9th CROSS, SADASHIVANAGAR, BANGALORE - 560 080.  
Ph:+9180 2361 4376 e-mail: conctact.base@gmail.com

TITLE:	G A DETAIL		
DRAWN:	D-01	JOB NO	B-06-04
DESIGNED:	SCALE	AS SHOWN	DRG NO.
APPROVED:	DATE	30-Sep-08	<b>B-ST-02</b>
			REV.
			RO