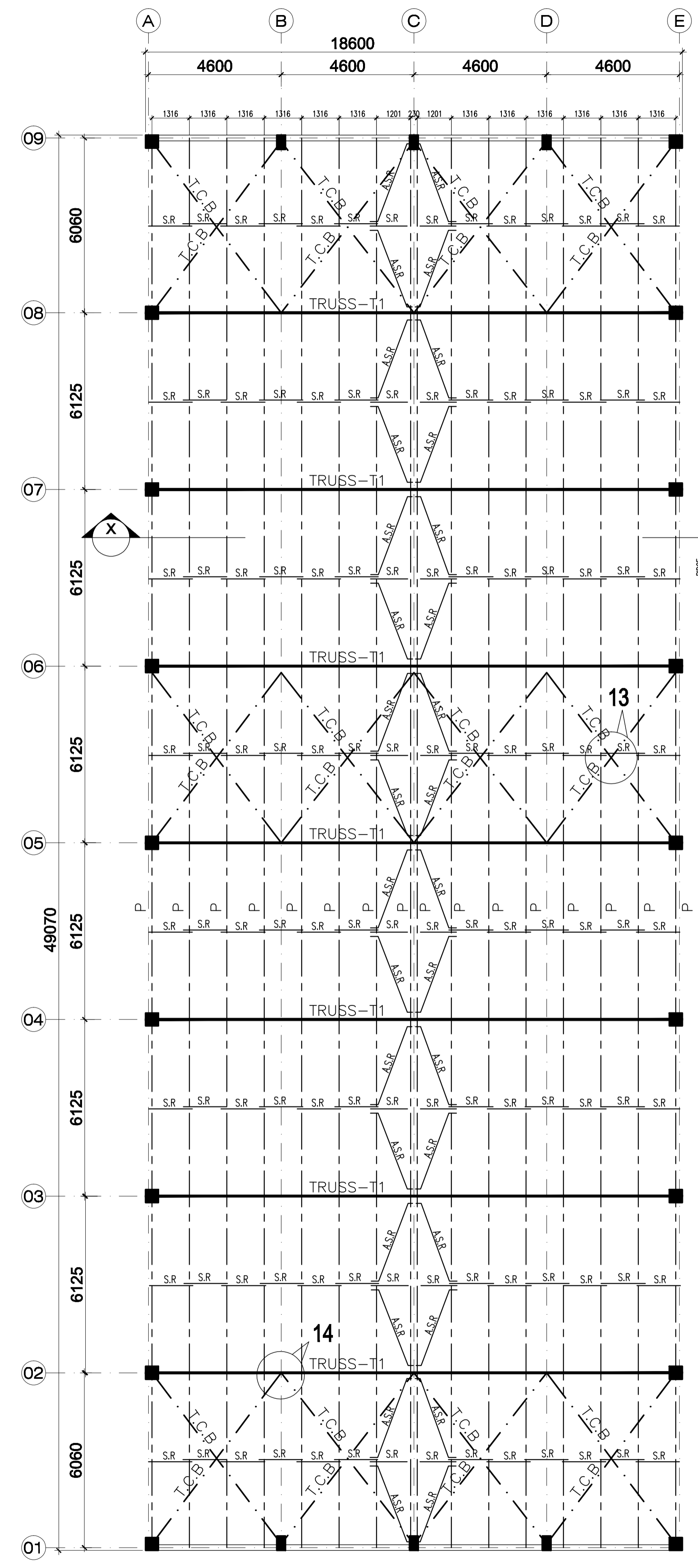
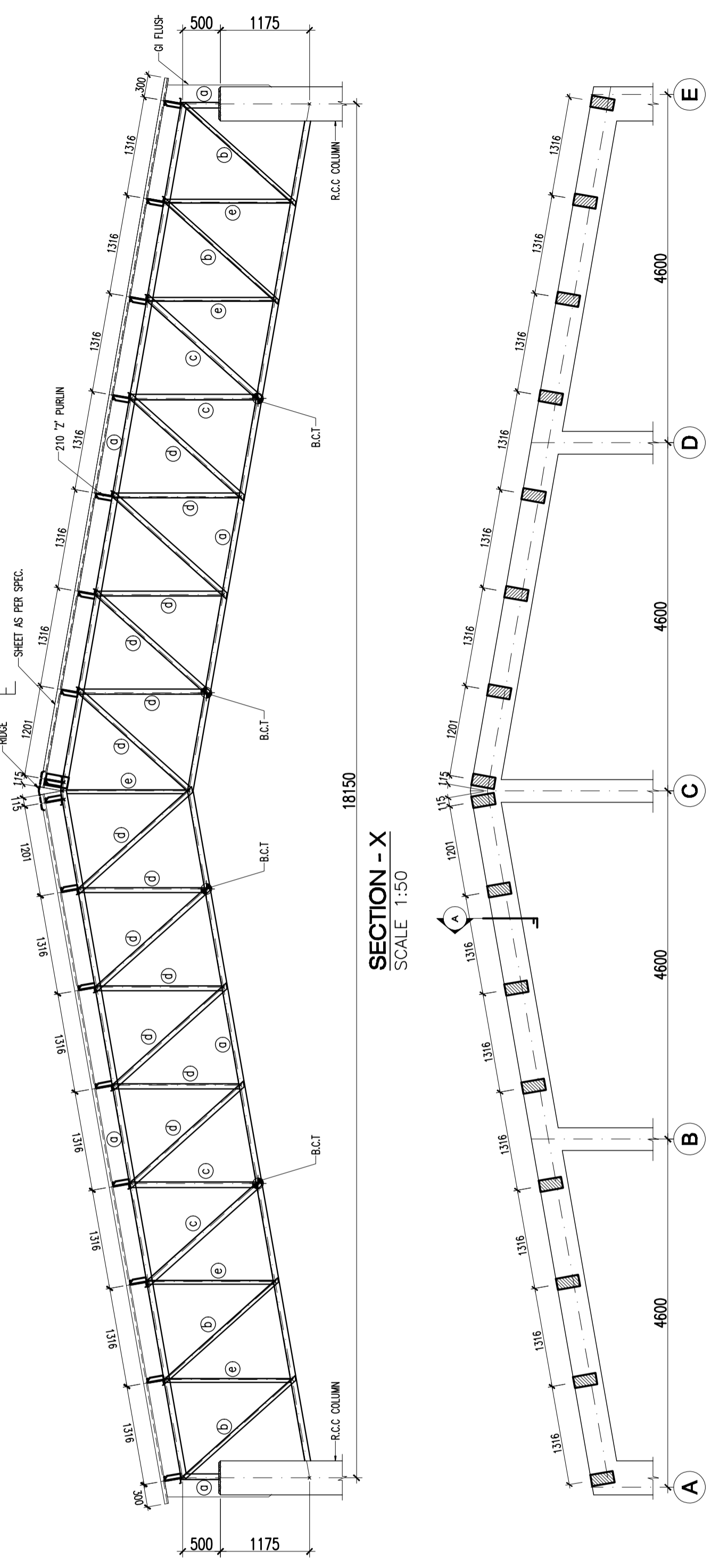


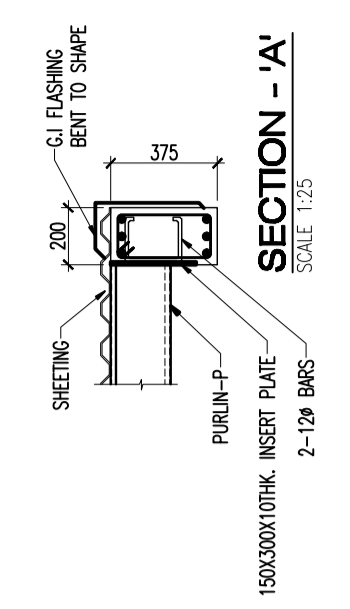
BOTTOM CHORD BRACING PLAN
SCALE 1:100



TOP CHORD BRACING PLAN
SCALE 1:100



SECTION - X
SCALE 1:50



SECTION - A'
SCALE 1:25

INSERT PLATE LOCATIONS IN COPING BEAM

- NOTES:**
- DO NOT SCALE THE DRG. FOLLOW FIGURED DIMENSIONS.
 - READ THIS DRG. ALONG WITH RELEVANT ARCH. DRG. DISCREPANCY IF ANY SHOULD BE BROUGHT TO THE NOTICE OF THE ARCH./ENGG.
 - ALL WELDS ARE FILLET CONTINUOUS AND MINIMUM WELD THICKNESS SHALL BE 6mm U.O.M.
 - MINIMUM WELD LENGTH SHOULD BE 100mm U.O.M.
 - ALL HOLES TO BE DRILLED AND NOT TO BE GAS CUT.
 - FULL SCALE LAYOUT TO BE MADE AND APPROVAL OBTAINED FROM CONSULTANTS BEFORE COMMENCEMENT OF FABRICATION.
 - ALL OPEN ENDS OF STRUCTURAL STEEL MEMBERS SHALL BE SEALED WITH 6THK. M.S. PLATES.
 - READ THIS DRAWING ALONG WITH DRG.NO:-B/ST-02.

FOR OTHER NOTES SEE DRG. NO. STD-01.

MEMBER INDEX		STITCH PLATE	
(A)	CHANNEL	[ISMC XXX
(B)	ANGLE	└	2/ISA XXX PL.230x50xxx AT 400 C/C.
(C)	ANGLE	┌	ISA XXX
(D)	ANGLE	┐	ISA XXX
(E)	ANGLE	┘	2/ISA XXX PL.88x50xxx AT 400 C/C.
P	PURLIN	'Z'	XXX
TCB	TOP CHORD BRACING	L	ISA XXX
SR	SAG ROD	XX#	
SAS	SAG ANGLE STRUT	L	ISA XXX
ASR	ANTI SAG ROD	XX#	
BCT	BOTTOM CHORD TIE	L	ISA XXX
BCB	BOTTOM CHORD BRACING	└	2/ISA XXX PL.138x50xxx AT 500 C/C

No.	DATE	ISSUED TO	BY
REV. NO.	DATE	DESCRIPTION	APPD

BASE BUILDING & STRUCTURAL ENGG CONSULTANTS
#508, 9th CROSS, SADASHIVANAGAR, BANGALORE - 560 080.
Ph:+9180 2361 4376 e-mail: conctact.base@gmail.com

TITLE: **G A DETAIL**

DRAWN:	D-01	JOB NO:	B-06-04	DRG NO.	
DESIGNED:		SCALE:	AS SHOWN		
APPROVED:		DATE:	30-Sep-08	B-ST-01	REV. RO