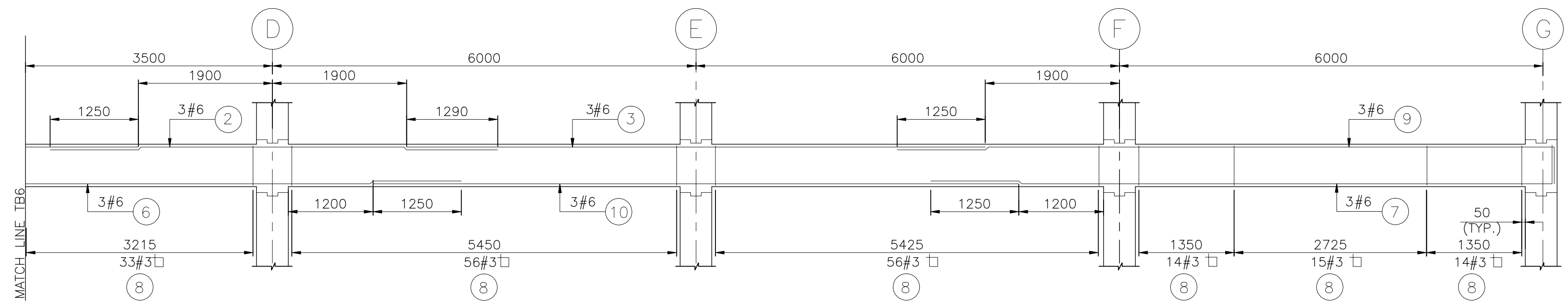


TB6 (400X600)
(SCALE 1:50)
(1NO. REQD)



BAR BENDING SCHEDULE

BAR MARK	NO. (Ø MM)	TOTAL BARS	UNIT BAR LENGTH (mm)	TOTAL BAR LENGTH (m)	BENDING GAUGE (mm)
1	#6 (19.05)	3	8630	25.890	8060
2	#6 (19.05)	6	6333	38.001	1250 3833 1250
3	#6 (19.05)	6	8200	49.201	8200
4	#6 (19.05)	3	7247	21.741	600 5397 1250
5	#6 (19.05)	3	9125	27.375	9125
6	#6 (19.05)	3	11383	34.149	1250 8883 1250
7	#6 (19.05)	3	9372	28.115	1250 7572 550
8	#3 (9.53)	357	1880	671.160	620 420 520 320
9	#6 (19.05)	3	9847	29.540	1250 8077 520
10	#6 (19.05)	3	9150	27.449	9150

BAR WEIGHT SUMMARY

NO. (Ø MM)	#3 (9.53)	#4 (12.70)	#5 (15.88)	#6 (19.05)	#7 (22.22)	#8 (25.40)	#10 (32.26)
UNIT WEIGHT (kgf/m)	0.559	0.994	1.554	2.237	3.044	3.977	6.416
TOTAL LENGTH (m)	671.160	-	-	281.460	-	-	-
WEIGHT PER Ø (kgf)	375.178	-	-	629.62	-	-	-
GRADE W-60	TOTAL WEIGHT (kgf)			1004.798			

CONCRETE QUANTITY

GRADE	
f'c=25N/MM ²	9.65 M ³

REV.	DATA	DESCRIZIONE	DISEGN	CONTR	APPROV

STRUCTURAL CONSULTANTS:



#508, 9th CROSS,
SADASHIVANAGAR,
BANGALORE - 560 080.
Ph: +9180 23614376
e_mail:
contact.base@gmail.com

TITLE

TIE BEAM DETAILS

DRG. NO.

REV. 0

SCALE 1:50