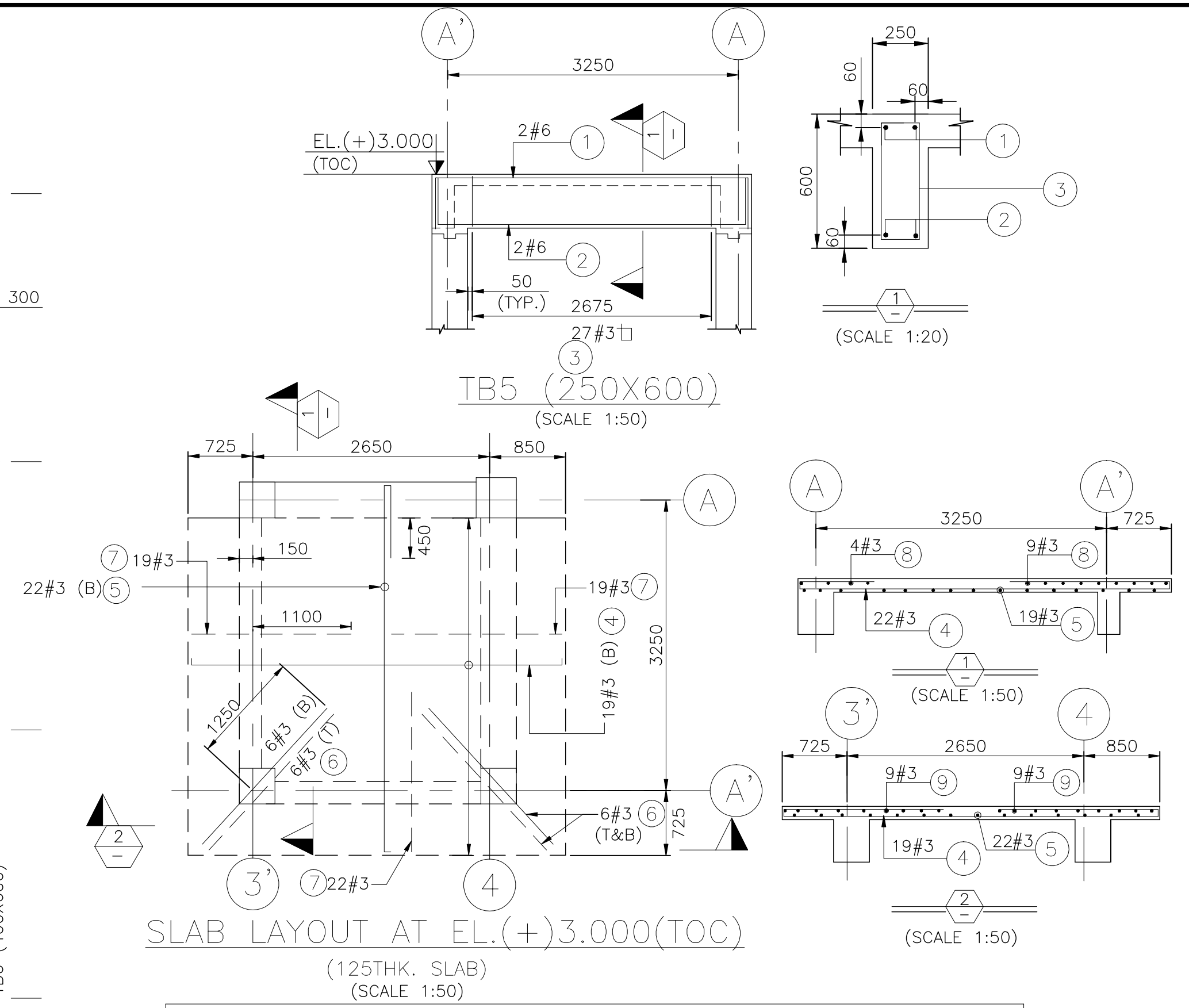


TIE BEAM LAYOUT

CONCRETE QUANTITY	
GRADE f'c=25N/MM <sup>2</sup>	2.74M <sup>3</sup>



SLAB LAYOUT AT EL.(+)3.000(TOC)  
(125THK. SLAB)  
(SCALE 1:50)

BAR BENDING SCHEDULE

BAR MARK	NO. (Ø MM)	TOTAL BARS	UNIT BAR LENGTH (mm)	TOTAL BAR LENGTH (m)	BENDING GAUGE (mm)
1	#6 (19.05)	2	4635	9.270	3495
2	#6 (19.05)	2	4475	8.950	3435
3	#3 (9.53)	27	1580	42.660	270
4	#3 (9.53)	19	4295	81.605	4145
5	#3 (9.53)	22	5055	111.206	4095
6	#3 (9.53)	24	2063	49.517	2063
7	#3 (9.53)	60	1785	107.100	1785
8	#3 (9.53)	13	4145	53.885	4145
9	#3 (9.53)	18	3695	66.510	3695

BAR WEIGHT SUMMARY

NO. (Ø MM)	#3 (9.53)	#4 (12.70)	#5 (15.88)	#6 (19.05)	#7 (22.22)	#8 (25.40)	#10 (32.26)
UNIT WEIGHT (kgf/m)	0.559	0.994	1.554	2.237	3.044	3.977	6.416
TOTAL LENGTH (m)	512.483	-	-	18.220	-	-	-
WEIGHT PER Ø (kgf)	286.48	-	-	40.76	-	-	-
GRADE W-60	TOTAL WEIGHT (kgf)		327.24				

REV.	DATA	DESCRIZIONE	DISEGN	CONTR	APPROV

STRUCTURAL CONSULTANTS:  
**BASE**  
 BUILDING & STRUCTURAL ENGG  
 CONSULTANTS  
 #508, 9th CROSS,  
 SADASHIVANAGAR,  
 BANGALORE - 560 080.  
 Ph:+9180 23614376  
 e\_mail:  
 contact.base@gmail.com

TITLE	
DRG. NO.	
REV.	0
SCALE	1:50