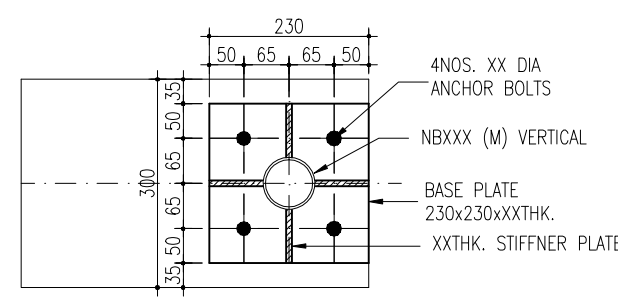
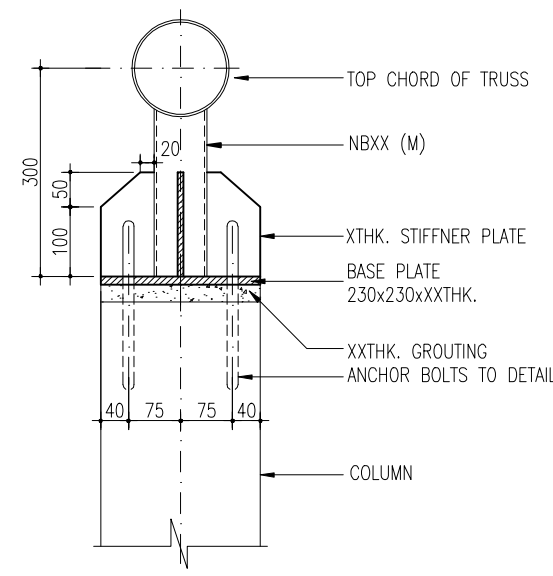


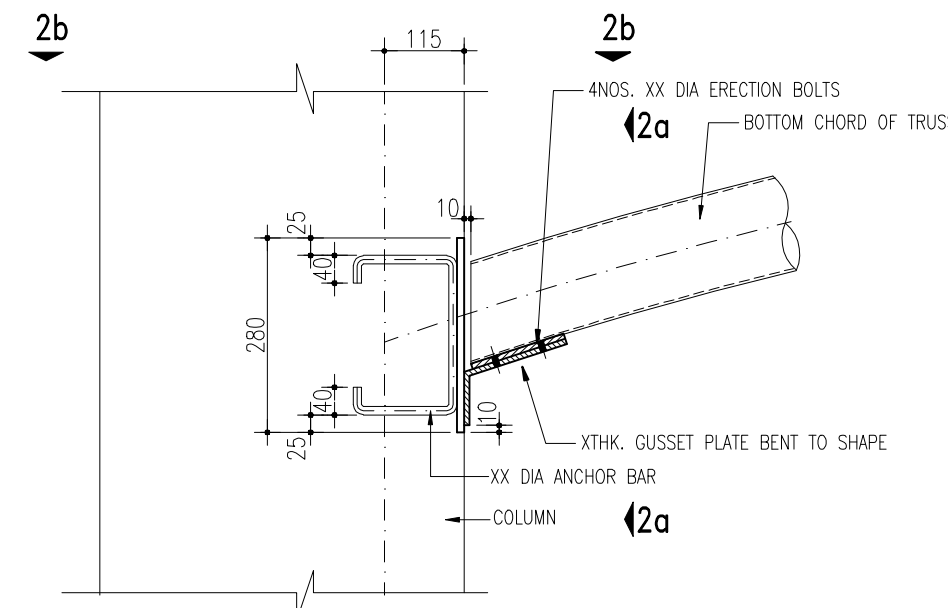
1 DETAIL SCALE 1:10



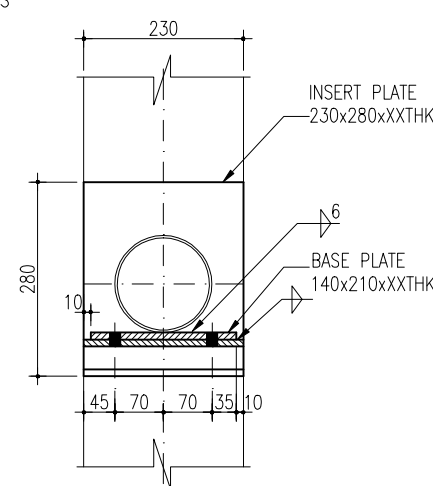
1a VIEW SCALE 1:10



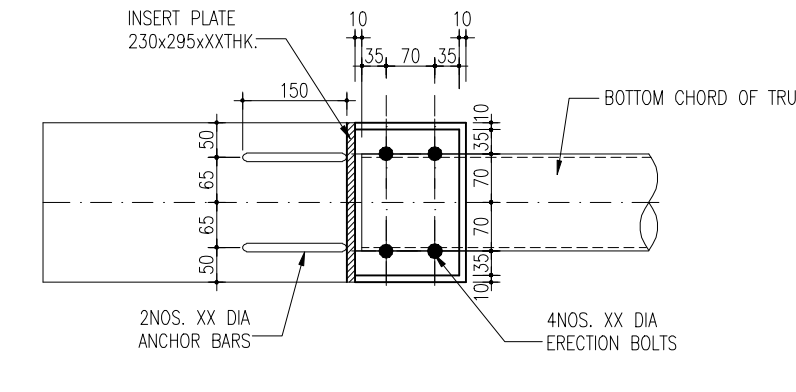
1b VIEW SCALE 1:10



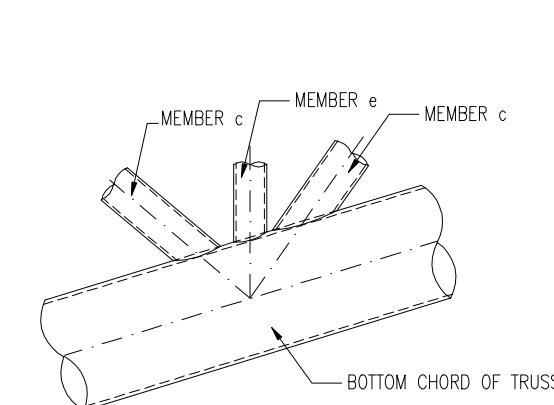
2 DETAIL SCALE 1:10



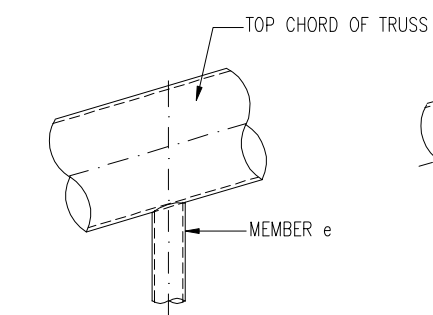
2a VIEW SCALE 1:10



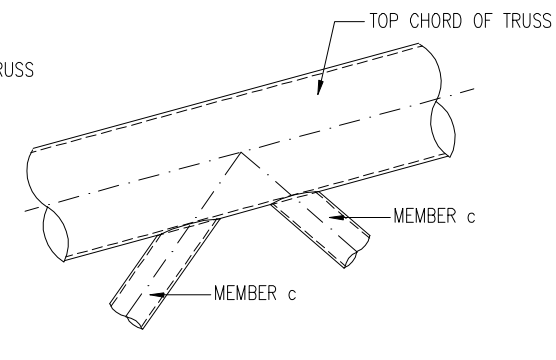
2b VIEW SCALE 1:10



3 DETAIL SCALE 1:10

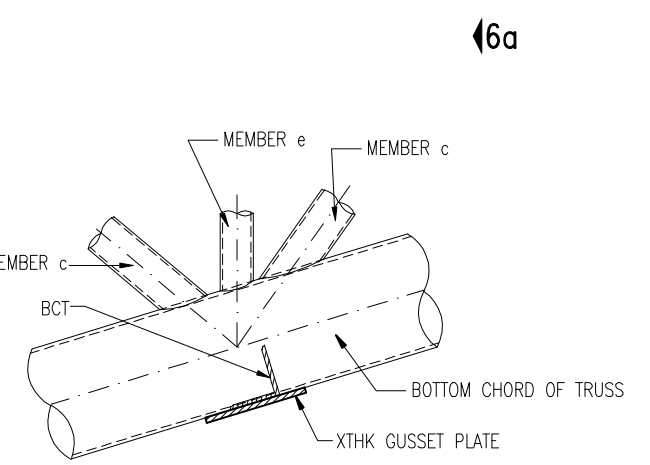


4 DETAIL SCALE 1:10

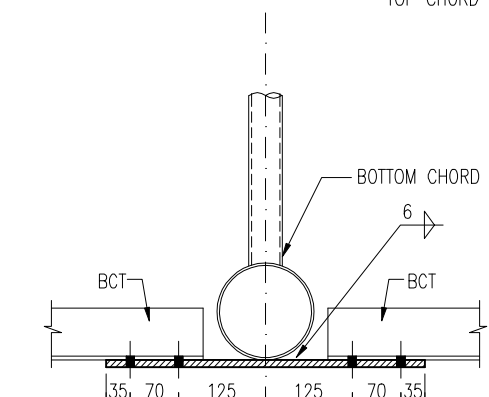


5 DETAIL SCALE 1:10

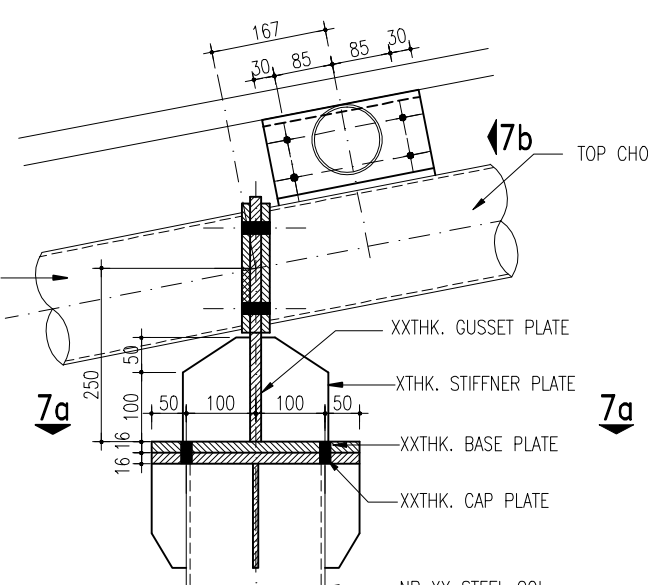
REFER SAME DETAIL FOR DETAIL 14



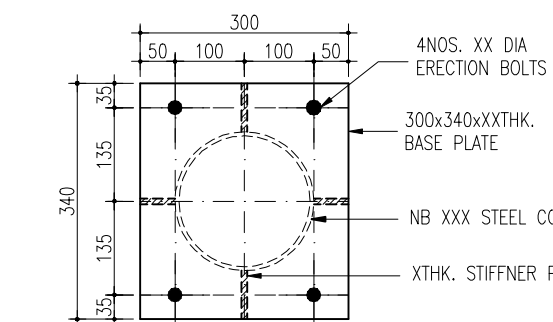
6 DETAIL SCALE 1:10



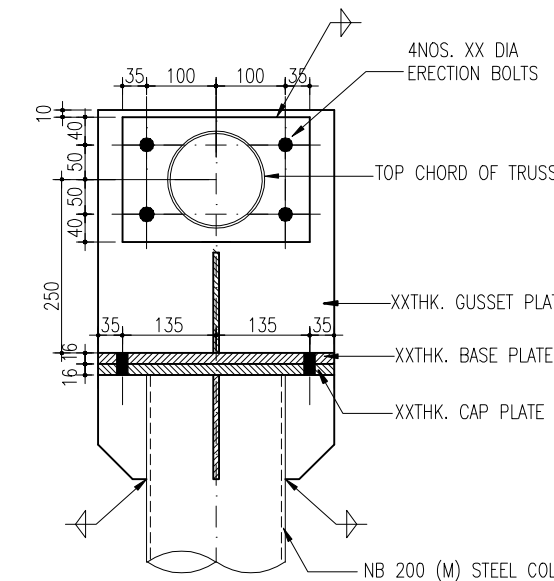
6a VIEW SCALE 1:10



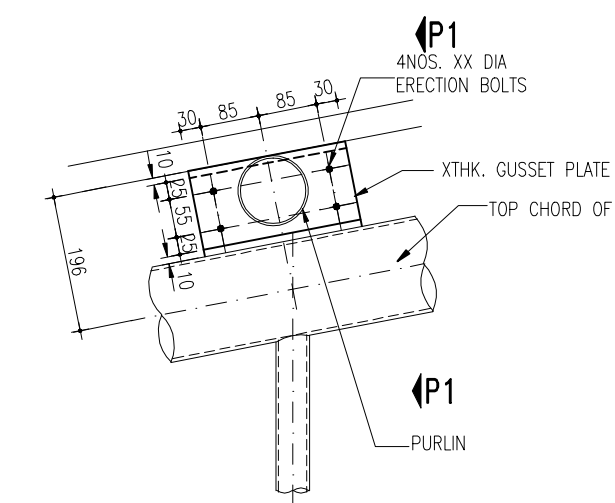
7 DETAIL SCALE 1:10



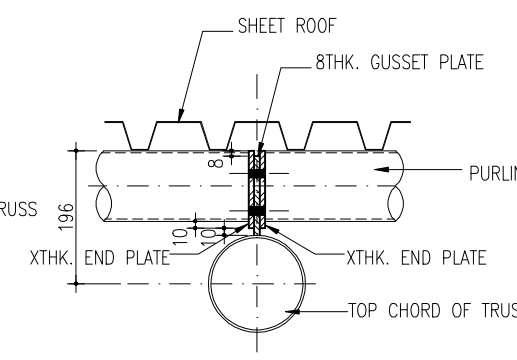
7a VIEW SCALE 1:10



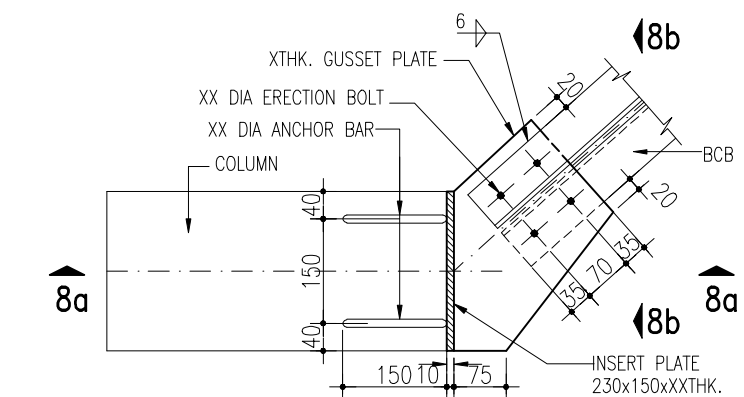
7b VIEW SCALE 1:10



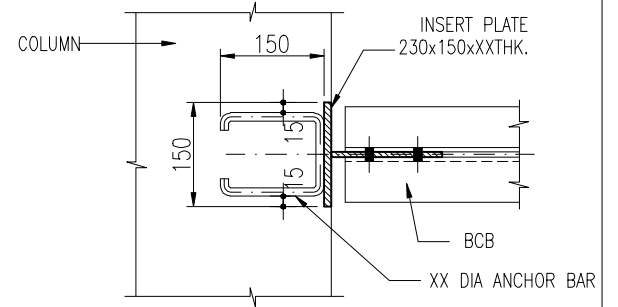
P1 VIEW SCALE 1:10



P1 VIEW SCALE 1:10

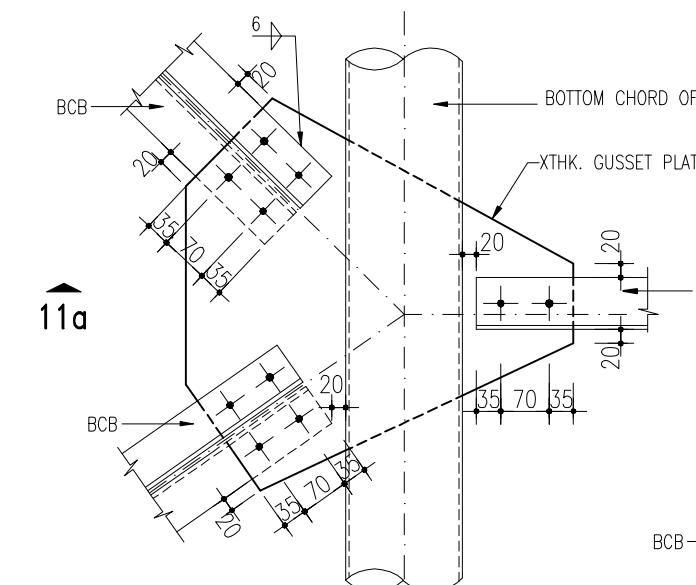


8 DETAIL SCALE 1:10

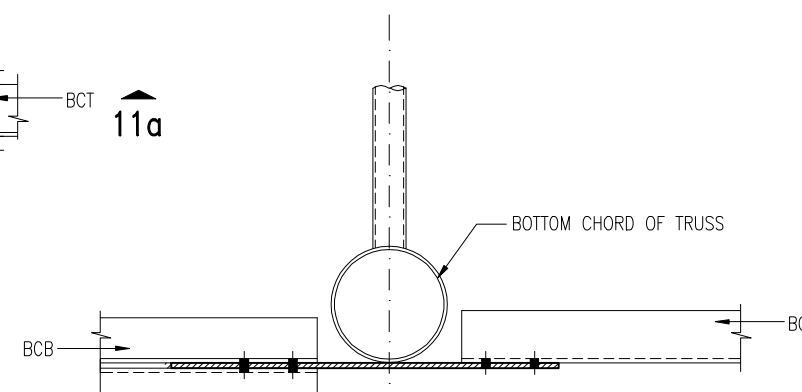


8a VIEW SCALE 1:10

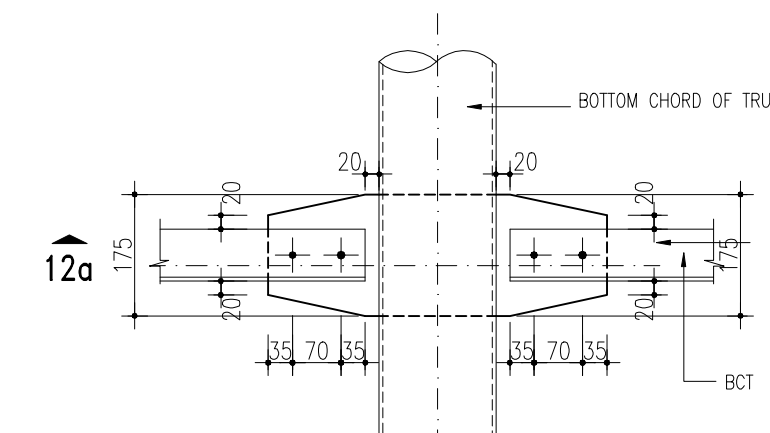
TYP. PURLIN FIXING DETAIL



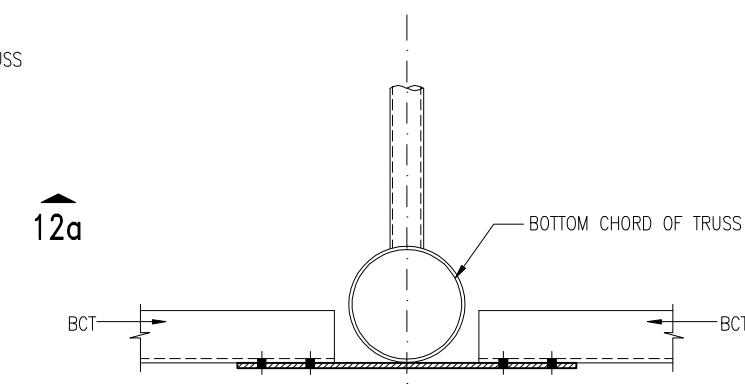
11 DETAIL SCALE 1:10



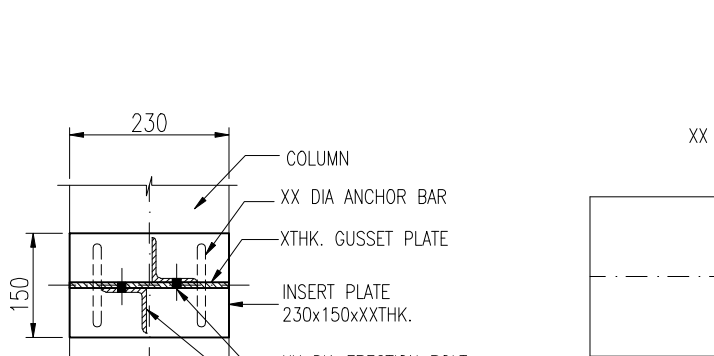
11a VIEW SCALE 1:10



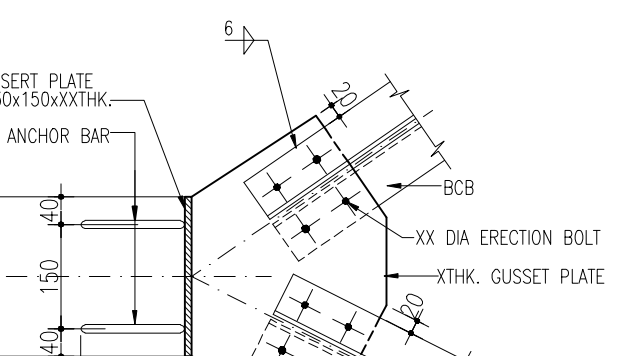
12 DETAIL SCALE 1:10



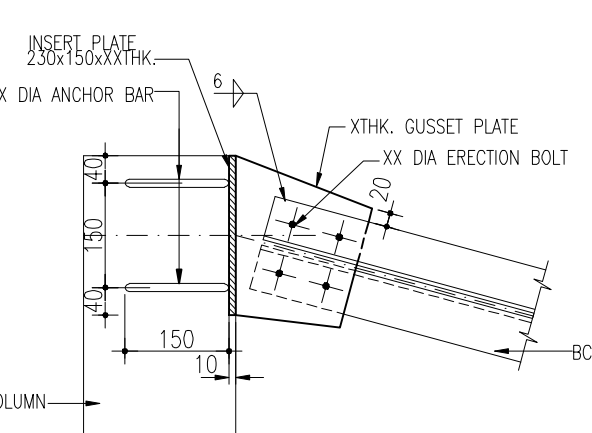
12a VIEW SCALE 1:10



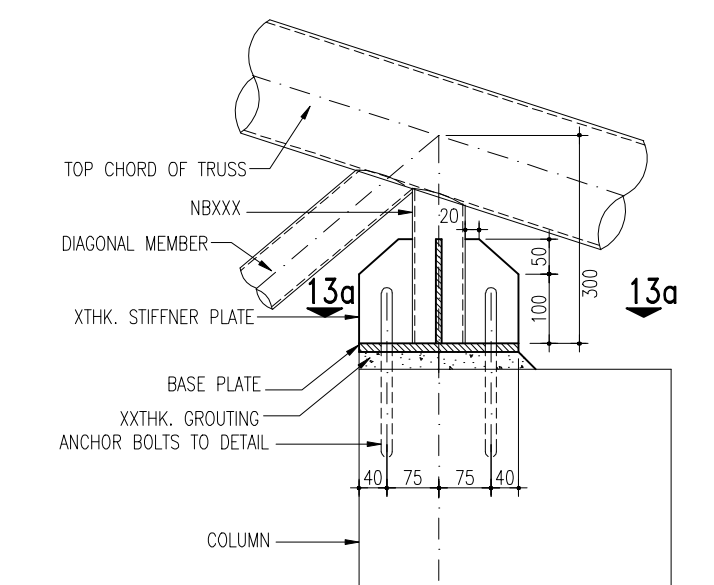
8b VIEW SCALE 1:10



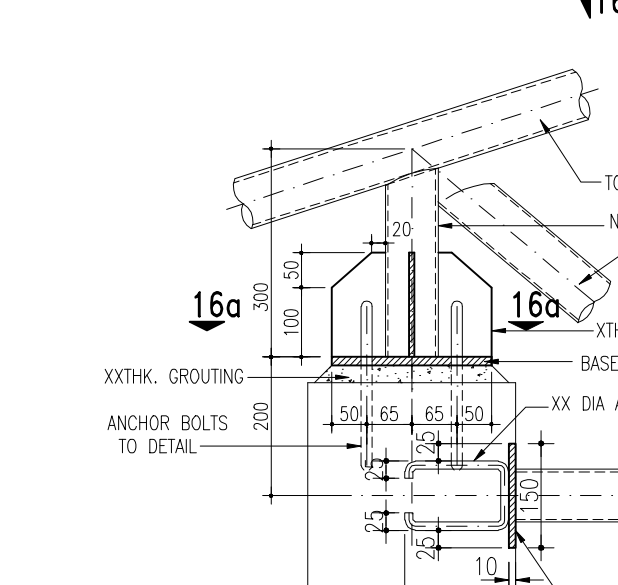
9 DETAIL SCALE 1:10



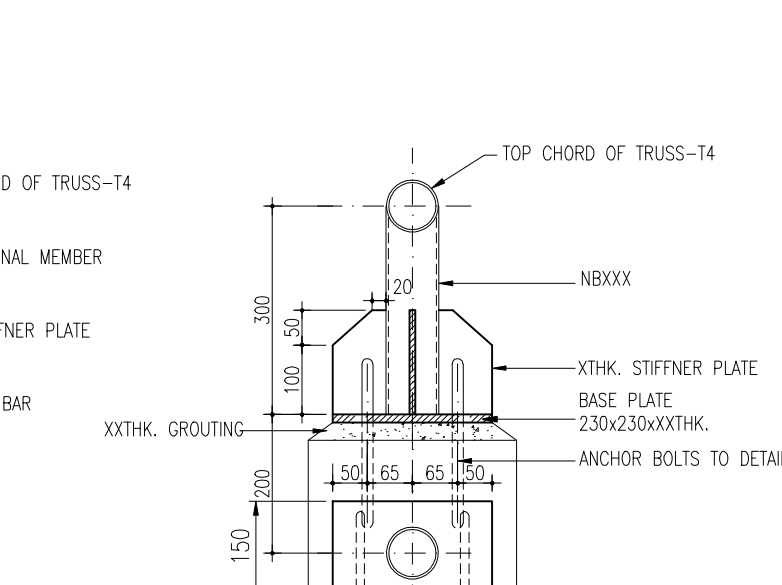
10 DETAIL SCALE 1:10



13 DETAIL SCALE 1:10

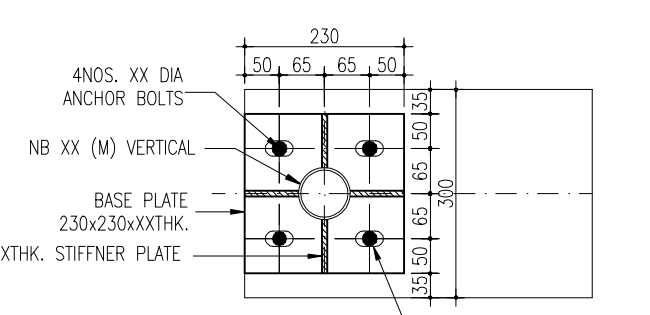


16 DETAIL SCALE 1:10

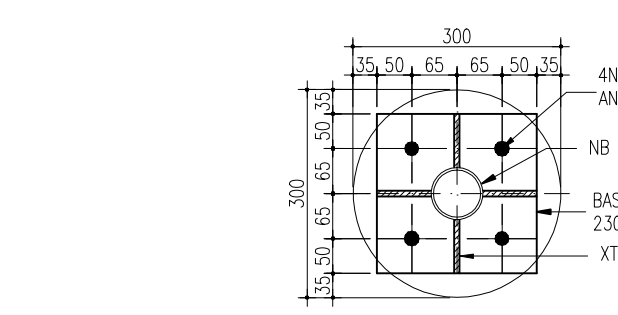


16b VIEW SCALE 1:10

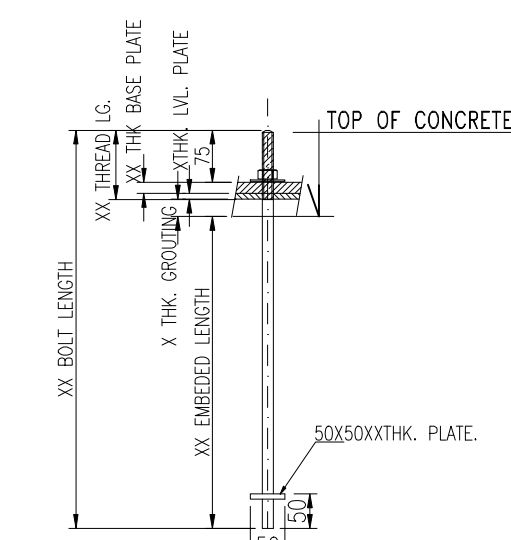
REFER SAME DETAIL FOR DETAIL 15



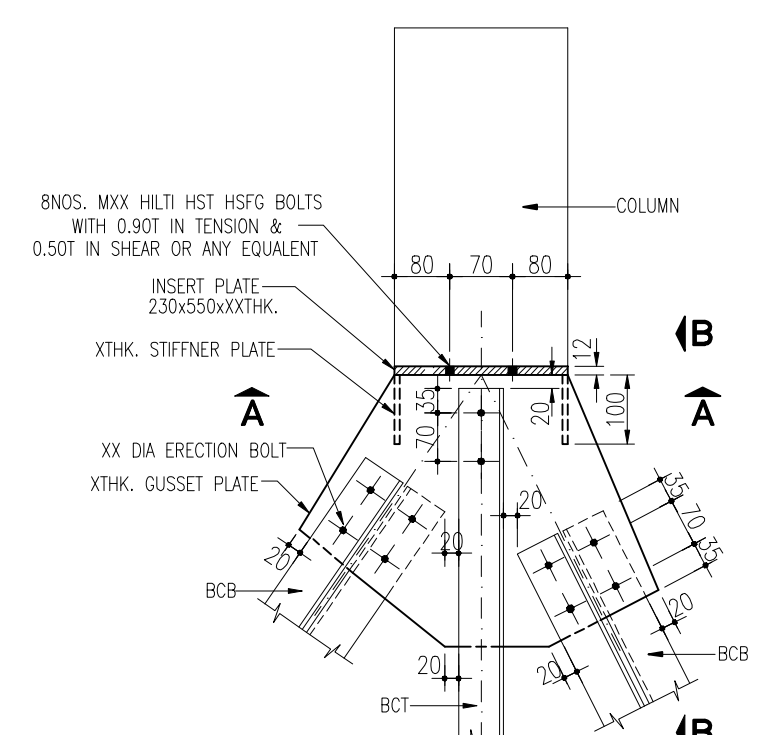
13a VIEW SCALE 1:10



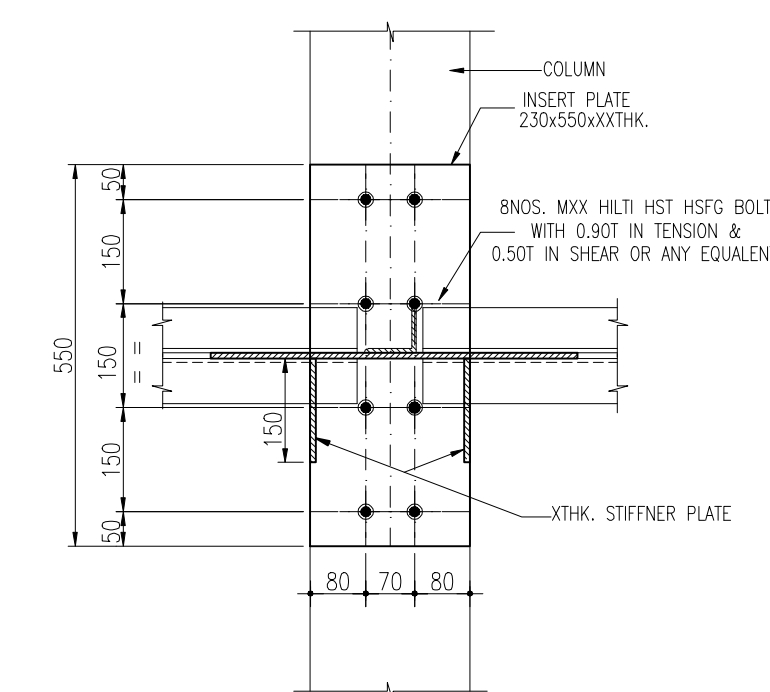
16a VIEW SCALE 1:10



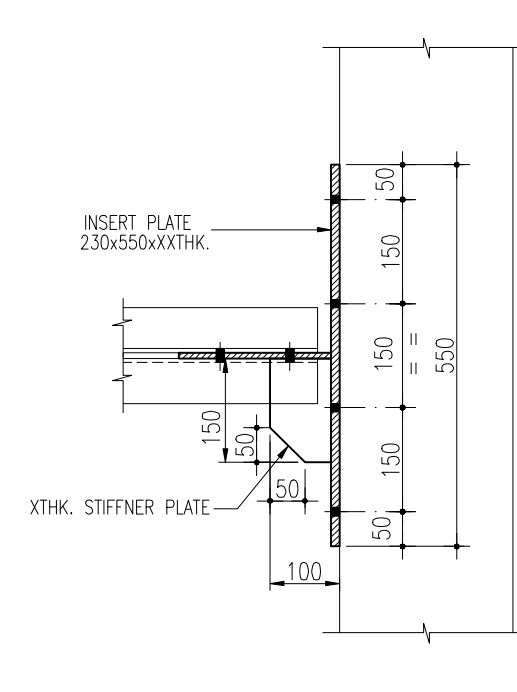
16 DIA ANCHOR BOLT DETAIL



TYPICAL DETAIL FOR BCB SEATING



VIEW A-A.



VIEW B-B.

NOTE

- ALL DIMENSIONS ARE IN MILLIMETRE
- DO NOT SCALE THE DRG. FOLLOW FIGURED DIMENSIONS.
- READ THIS DRG ALONGWITH RELEVANT ARCH. DRG. DISCREPANCY IF ANY SHOULD BE BROUGHT TO THE NOTICE OF ENGINEER.
- MINIMUM WELD THICKNESS SHOULD BE 6mm. OR TO THE THICKNESS OF TUBE WHICHEVER IS LESS
- SUITABLE ALLOWANCES TO BE TAKEN INTO ACCOUNT FOR FLOOR FINISH.
- ALL HOLES TO BE DRILLED AND NOT TO BE GAS CUT.
- FULL SCALE LAYOUT TO BE MADE AND APPROVAL OBTAINED FROM ENGINEER BEFORE COMMENCEMENT OF FABRICATION.
- REQUIREMENT OF ADDITIONAL SAG RODS, IF ANY TO BE CONFIRMED WITH PURLIN SUPPLIERS.
- SHOP DRGS. TO BE PREPARED FOR SHEETING AND APPROVAL OBTAINED FROM ENGINEER FOR LOCATION OF SUPPORTS.
- REQUIREMENT OF ADDITIONAL SUPPORTS FOR SHEETING IF ANY SHALL BE TAKEN CARE OF BY THE CONTRACTOR.
- FOR TOP CHORD PLAN, SECTIONS & JOINT DETAIL REFER DRG. NO. **RSB-ST-02, ST-03 & ST-04.**

FOR OTHER NOTES SEE DRG.NO. STD-ST-01.

No.	DATE	ISSUED TO	BY
REV.NO.	DATE	DESCRIPTION	APPD

**BASE** #508, 9th CROSS, SADASHIVANAGAR, BANGALORE - 560 080.  
**BUILDING & STRUCTURAL ENGG CONSULTANTS** Ph:+9180 2361 4376  
 e-mail: conctact.base@gmail.com

TITLE:	JOINT DETAIL			SHEET NO 4 OF 4	
DRAWN:	ROHIT	JOB.NO	DRG NO.		
DESIGNED:	SCALE	1:100, 10	RSB	ST-01	REV.
APPROVED:	DATE	AUG.08/04	RO		