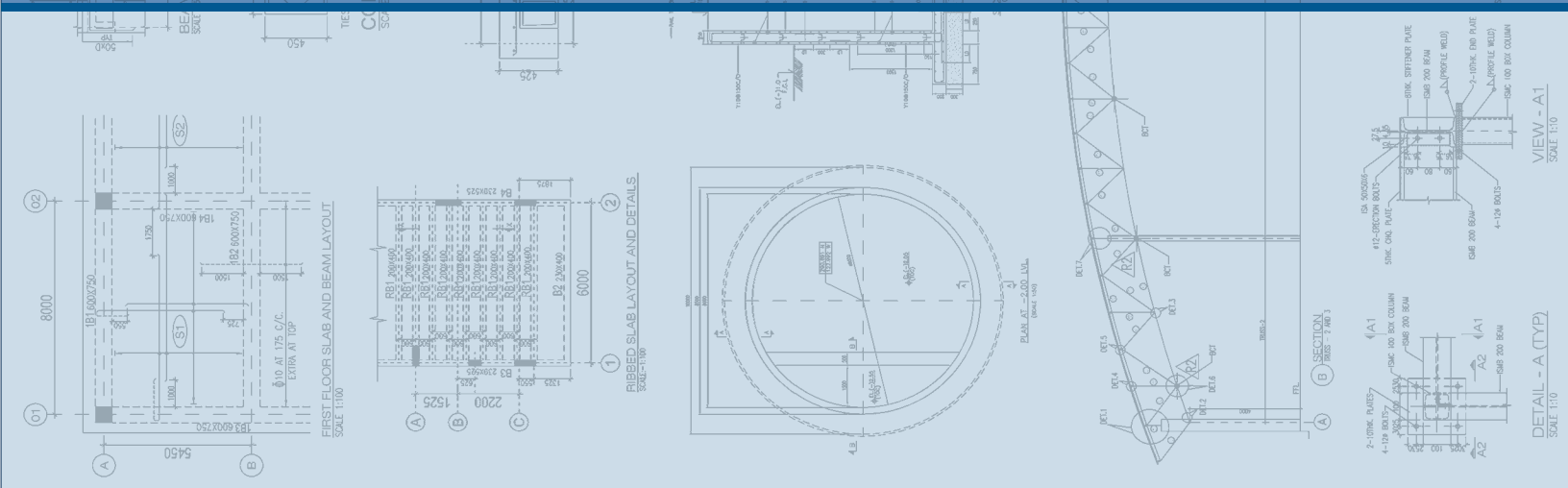
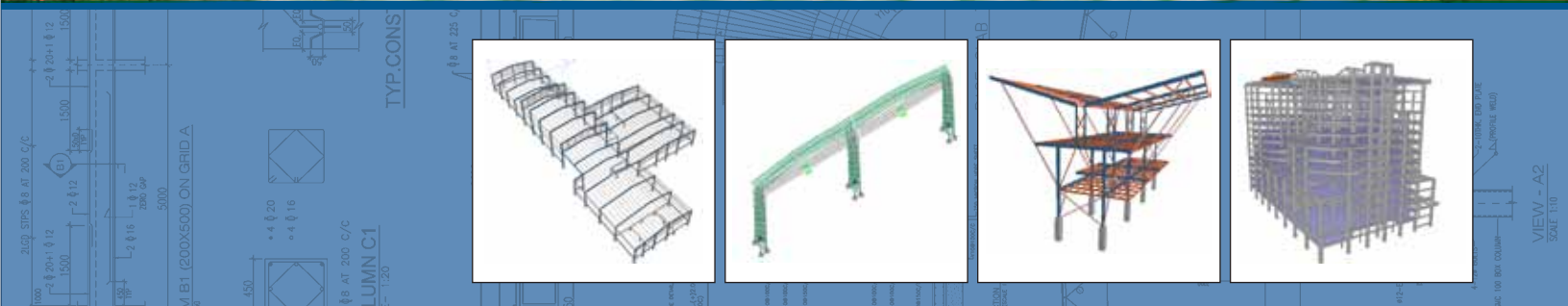


Unleashing a true potential



BASE
BUILDING & STRUCTURAL ENGG

#508, 9th CROSS, SADASHIVANAGAR,
BANGALORE - 560 080.
Ph:+9180 2361 4376
e-mail: contact.base@gmail.com

TITLE:	BLOCK-1	LAYOUT AND DETAILS
DRAWN:	D-01	JOB NO BC-07-01
DESIGNED:	SCALE 1:100	DRG NO.
APPROVED:	DATE 14-JULY-09	B1-RC-LO-01

NO.	DATE	ISSUED TO	BY

- NOTES:**
- Do not scale the drawing for figured dimension.
 - Read this drawing along with relevant architectural Dwg. discrepancy if any should be brought to the notice of the architect/engineer.
 - Concrete grade shall be M20. U.O.M
 - Concrete grade for columns shall be M25
 - All reinforcement shall be HYSD bars of grade FE415, conforming to IS:1786.
 - Suitable allowance to be taken into account for floor finish.
 - All welds are fillet continuous and minimum weld thickness shall be 6mm u.o.m.
 - Minimum weld length should be 100mm u.o.m.
 - All holes to be drilled and not to be gas cut.
 - All open ends of structural steel members shall be sealed with 80mm p.s. plates.

BASE
BUILDING & STRUCTURAL ENGG
CONSULTANTS

We, The BASE (Building And Structural Engineering) Consultants provide structural engineering service. We are a team of qualified and experienced engineers grouped together with an aim to provide the best solutions to the clients. Our innovative solutions to our clients have helped us to establish firmly in the field of structural engineering service. We focus on meeting and exceeding our clients' special expectations and strive to be known for our competence, integrity, and contributions to the people and communities we serve. The combination of the wide range of knowledge and experience in this field allows us for a creative and practical engineering solutions and implementations.

We assign value in the working relationships with our clients by listening carefully to them and understand thoroughly their needs and work closely with them to solve their engineering problems. Our technical staff members stay abreast of developments in their technical professions, allowing us to implement both traditional and state-of-the-art technologies in our engineering analyses and designs.

The firm has been working on some International projects and has good understanding of the British and American codes apart from Indian codes. Ever since the start of the company in 2007, We have grown steadily and have always maintained commitment to provide the best craftsmanship and level of expertise on time to meet client's requirements.

Expertise:

RCC Structures • Steel Structures • Machine Foundations • Pile Foundations • Water Retaining Structures • Space Frames • RCC Domes • Seismic Analysis & Design • Dynamic Analysis • High Rise Structures & Towers • Quantity Surveying • Structural Peer Review.

Projects:



WIPRO HYDERABAD

The proposed construction is the third phase of construction in the Hyderabad campus of Wipro. Total built up area of the project amounts to 8.5 Lakh sft spread over 13 floors. The project is outsourced by Semac Pvt. Ltd & Architects are Mindspace.



CHAMUNDESHWARI SUGARS LTD.

The proposed structure is the corporate office for M/s Chamundeshwari Sugars Ltd. The proposed structure is a ground + 4 floor structure. Total built up area of the project amounts to 0.35 Lakh sft.



LEGEND CHIMES

The proposed construction is the development of high end Luxury villas at Gandhipet, Hyderabad. This facility is designed to accommodate 250 villas with all civic amenities, Architects - Mindspace.



PRAMUK MALL

The proposed construction is a shopping mall at Bangalore. The present development is of 5.5 Lakh sft in area. The proposed development is undertaken by Pramuk Builders.



CMR SCHOOL

The proposed construction is the school building for CMR group of Institutions at Bangalore. The proposed construction is 0.75 lakh sft in area.



IIM BANGALORE

The proposed structure is the hostel for Indian Institute of Management Bangalore. This facility is designed to accommodate 300 students over 1.1 lakh sft area, Architects - Mindspace.



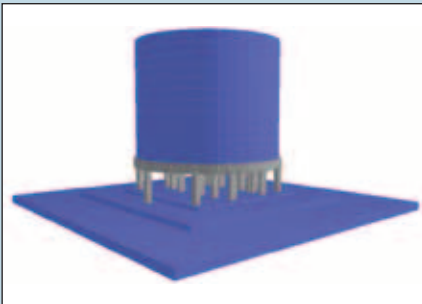
JNC JAKKUR

The proposed structure is the hostel and lab facility for Jawaharlal Nehru Center for Advanced Scientific Research at Jakkur, Bangalore. This facility is designed to accommodate 100 students, Architects - Mindspace.



DISTRICT OFFICE COMPLEX, DAVANGERE

The proposed construction is the District office complex at Davangere. The proposed construction is 1.10 Lakh sft in area.



SILO FOUNDATIONS/ MACHINE PLATFORMS

Foundation solutions are provided for large grain storage silos for capacities varying from 1000 M. Tonnes to 10,000 M. Tonnes. Steel platforms are designed to support the machines inducing Dynamic Loads.



WATER RETAINING STRUCTURES

We are associated with some of the consultants delivering turnkey solutions to the clients in the chemical processing industry. We design the structural components of the facility.

Clients/Architects

- Mindspace, Bangalore.
- Zachariah Consultants.
- Carambiah and George, Bangalore.
- Patil Sureban Ashok and Partners
- Chandroo Aiyer associates.
- Enso Architects.
- Sama Associates, Bangalore.
- Architectural Creations International, Bangalore.
- PRAGRUP, Bangalore.
- Mistry architects, Bangalore.
- Synthesis Design Studio Bangalore.
- The Bodhi Tree architects.
- FABS Bangalore.
- Chemtex consulting of India Ltd.
- Semac Pvt. Ltd. Bangalore.
- Pramuk Builders, Bangalore.
- Baagmane Developers.
- Fowler Westrup (India) Pvt. Ltd.
- Skanray Technologies.

Some of the clients we are associated with

- IIT Bombay.
- IIM Bangalore.
- Jawaharlal Nehru Centre for Advanced Scientific Research.
- Central Power Research Institute.
- Karnataka Housing Board.
- Karnataka State Seeds Corporation.
- Wipro, Hyderabad.
- Sri Chamundeshwari Sugars Pvt. Ltd.
- ICICI knowledge Park, Hyderabad.
- CMR Group of Institutions, Bangalore.
- Aishwarya Education Trust, Bangalore.
- Baptist Hospital Bangalore.
- MVJ College of Engineering.
- Legend Estates Pvt. Ltd.
- St. Marks Hotel, Bangalore.
- Raman Boards (ABB), Mysore.
- Cigfil India Ltd.
- Arpita Exports, Bangalore.
- Texal Industries, Bangalore.

Key Contacts

Name	Phone	E mail
S.K.B. Prasad <small>M.E.</small>	91-80-23614376	prasad.base@gmail.com
Mahesh V. Patil <small>M.Tech</small>	91-94489 76306	mahesh.base@gmail.com
Sanjay B. Kalge <small>M.Tech</small>	91-94496 25990	sanjay.base@gmail.com
Suhas M. <small>M.Tech</small>	91-98862 18297	suhas.base@gmail.com



Base Consultants

508, 9th cross, Sadashivanagar
Bengaluru- 560080
91-80-23614376
contact.base@gmail.com